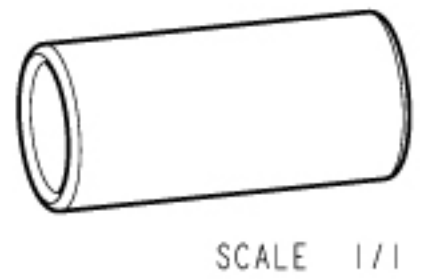
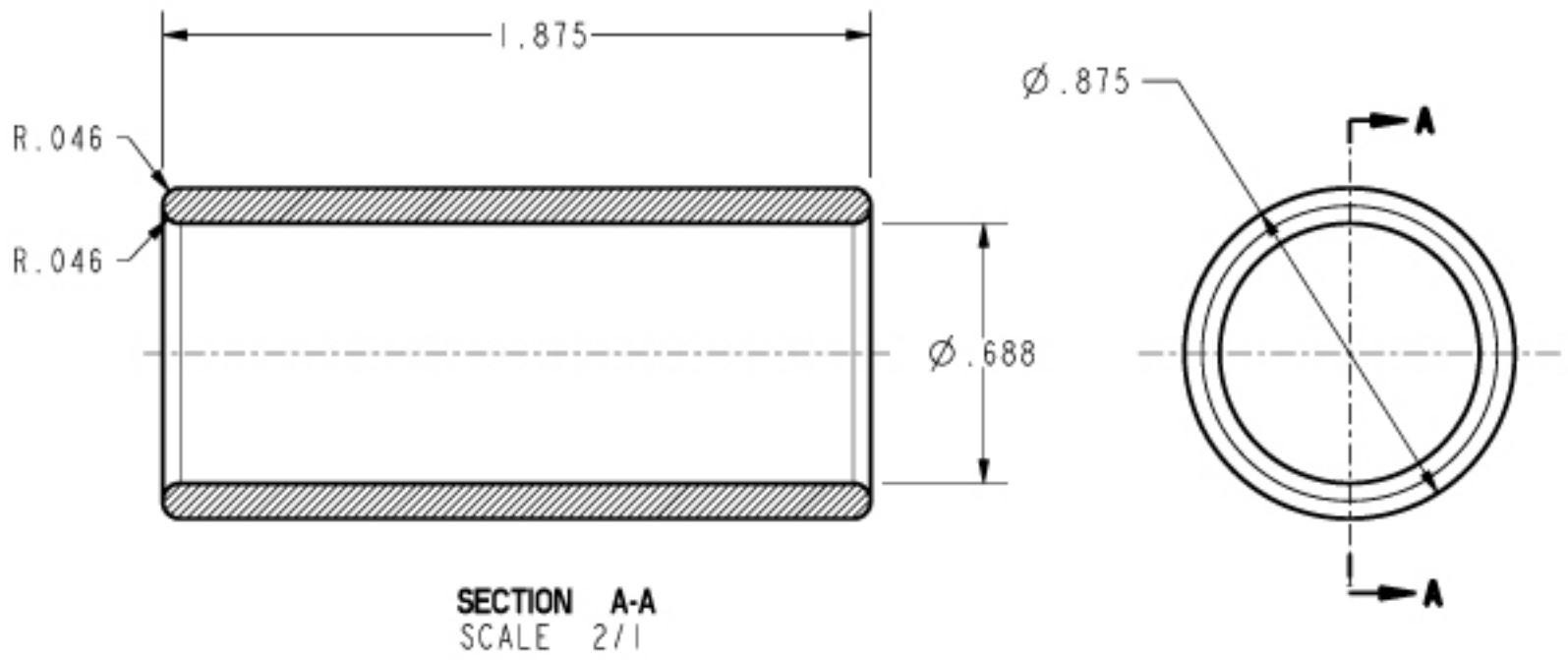
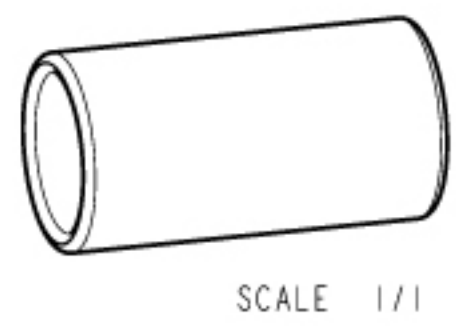
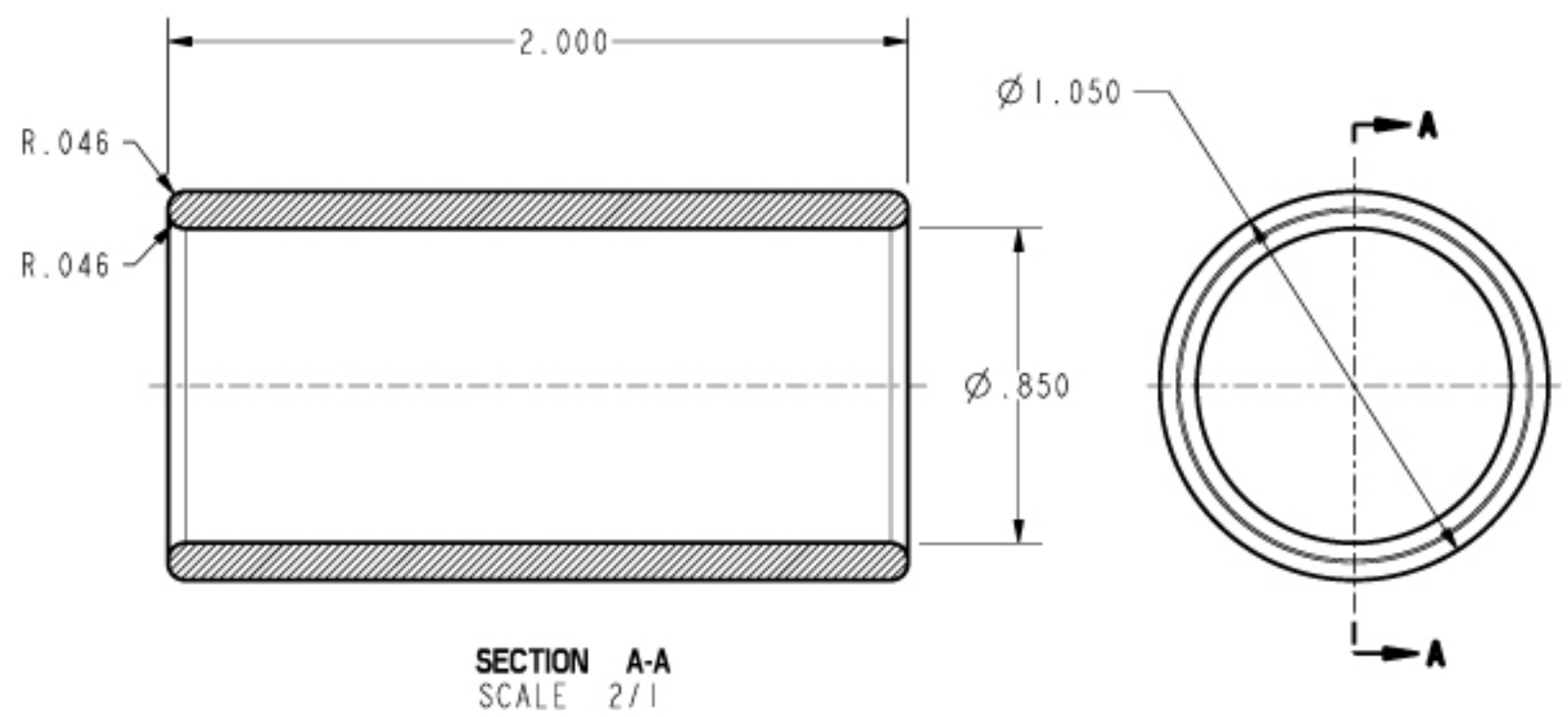


REV	ECN	DESCRIPTION	DSN	DATE	APP



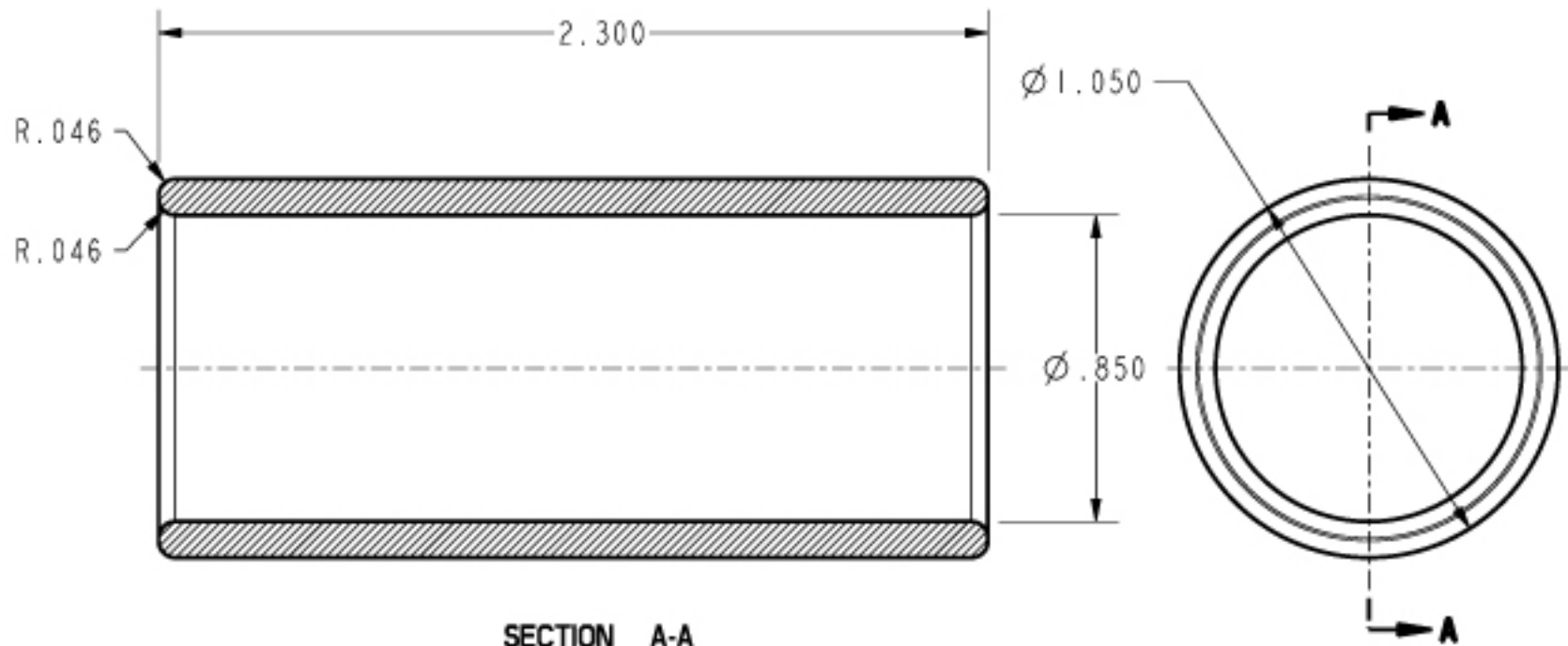
MATERIAL		DESIGNED BY:	J. D'ADDARIO & CO., INC.	
STAINLESS STEEL		A. M.	FARMINGDALE, NY USA	
APPROVED:		12/11/01	NAME	
DO NOT SCALE DRAWING		UNITS: INCHES	SLIDE SMALL	
SIZE	THIRD ANGLE PROJECTION	THIS DRAWING CONTAINS PROPRIETARY DATA. REPRODUCTION OF THIS DRAWING WITHOUT THE WRITTEN CONSENT OF J. D'ADDARIO & CO., INC. IS PROHIBITED. SURRENDER ALL COPIES UPON REQUEST.	NUMBER	
A			P041A01	
TOLERANCES EXCEPT WHERE NOTED:		WT:		REV
X.XX ± .01		SCALE: 2/1		
X.XXX ± .005		SHEET: 1/1		
≤ ± 0.5°				

REV	ECN	DESCRIPTION	DSN	DATE	APP



MATERIAL		DESIGNED BY:	J. D'ADDARIO & CO., INC.	
STAINLESS STEEL		A. M.	FARMINGDALE, NY USA	
APPROVED:		12/11/01	NAME	
DO NOT SCALE DRAWING		UNITS: INCHES	SLIDE MEDIUM	
SIZE	THIRD ANGLE PROJECTION	THIS DRAWING CONTAINS PROPRIETARY DATA. REPRODUCTION OF THIS DRAWING WITHOUT THE WRITTEN CONSENT OF J. D'ADDARIO & CO., INC. IS PROHIBITED. SURRENDER ALL COPIES UPON REQUEST.	NUMBER	
A			P041B01	
TOLERANCES EXCEPT WHERE NOTED:		WT:		REV
X.XX ± .01		SCALE: 2/1		
X.XXX ± .005		SHEET: 1/1		
≤ ± 0.5"				

REV	ECN	DESCRIPTION	DSN	DATE	APP



SECTION A-A
SCALE 2/1



SCALE 1/1

DESIGNED BY: A. M.		12/11/01	J. D'ADDARIO & CO., INC.	
APPROVED:			FARMINGDALE, NY USA	
MATERIAL: STAINLESS STEEL		DO NOT SCALE DRAWING	NAME: SLIDE LARGE	
SIZE: A	THIRD ANGLE PROJECTION	UNITS: INCHES	NUMBER: P041C01	REV:
THIS DRAWING CONTAINS PROPRIETARY DATA. REPRODUCTION OF THIS DRAWING WITHOUT THE WRITTEN CONSENT OF J. D'ADDARIO & CO., INC. IS PROHIBITED. SURRENDER ALL COPIES UPON REQUEST.		TOLERANCES EXCEPT WHERE NOTED: X.XX ± .01 X.XXX ± .005 < ± 0.5"	WT:	SHEET: 1/1
			SCALE: 2/1	