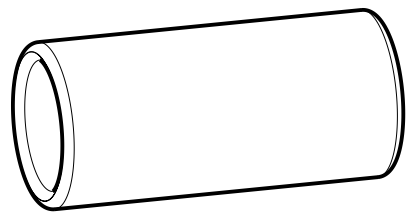
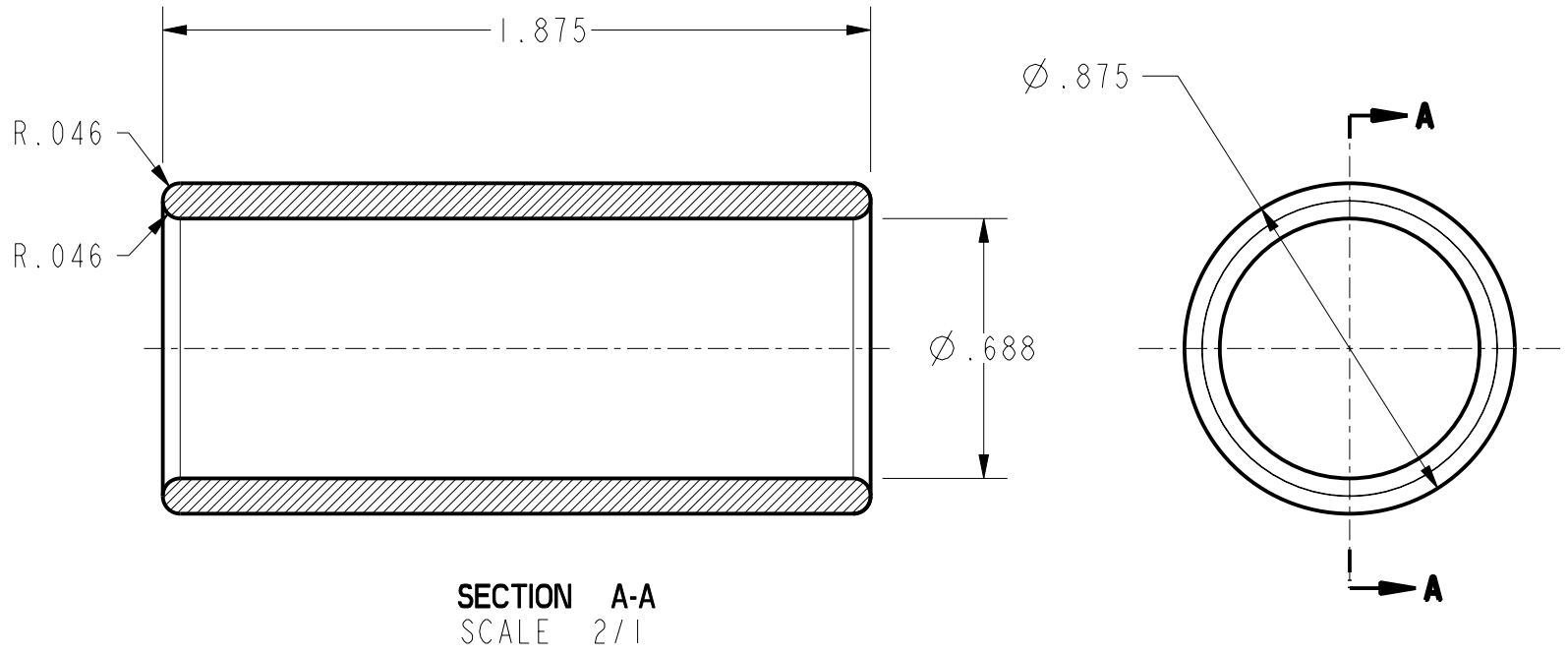



REV	ECN	DESCRIPTION	DSN	DATE	APP

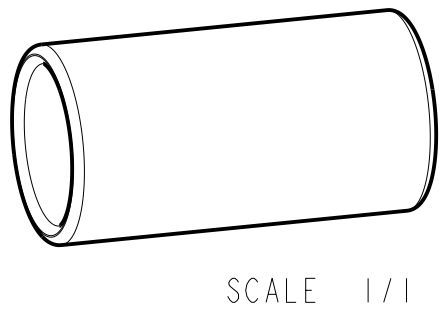
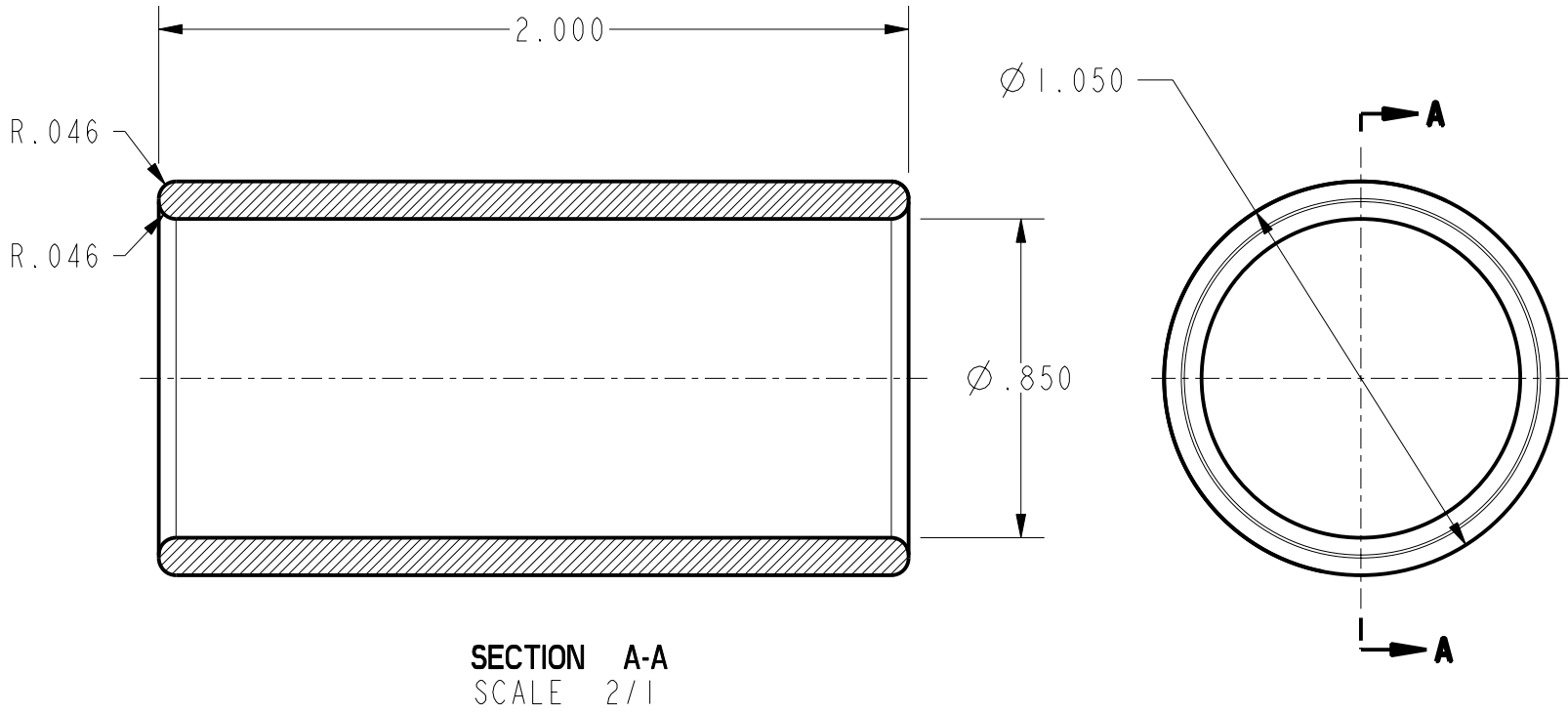


SCALE 1/1

FINISH: ELECTRO-POLISHED

MATERIAL STAINLESS STEEL		DESIGNED BY: A.M.	12/11/01	J. D'ADDARIO & CO., INC. FARMINGDALE, NY USA	
APPROVED:		DO NOT SCALE DRAWING		NAME SLIDE SMALL	
SIZE A	THIRD ANGLE PROJECTION 	UNITS: INCHES		NUMBER	REV
THIS DRAWING CONTAINS PROPRIETARY DATA. REPRODUCTION OF THIS DRAWING WITHOUT THE WRITTEN CONSENT OF J. D'ADDARIO & CO., INC. IS PROHIBITED. SURRENDER ALL COPIES UPON REQUEST.		TOLERANCES EXCEPT WHERE NOTED: X.XX ± .01 X.XXX ± .005 ∠ ± 0.5°		P041A01	
WT:		SCALE: 2/1	SHEET: 1/1		

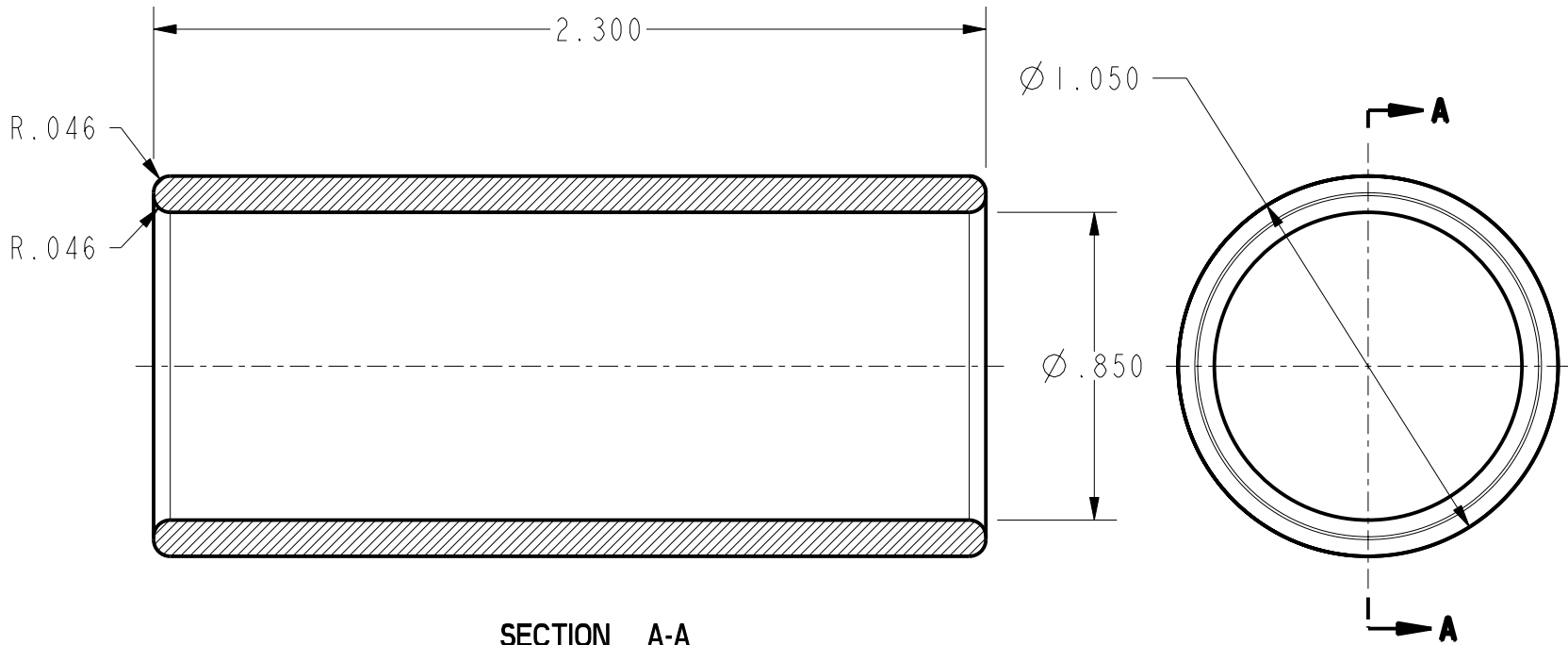
REV	ECN	DESCRIPTION	DSN	DATE	APP



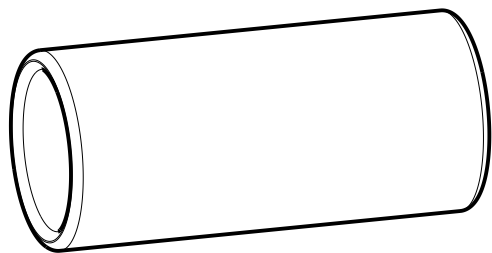
FINISH: ELECTRO-POLISHED

MATERIAL STAINLESS STEEL		DESIGNED BY: A.M.	12/11/01	J. D'ADDARIO & CO., INC. FARMINGDALE, NY USA	
APPROVED:		DO NOT SCALE DRAWING			
SIZE A	THIRD ANGLE PROJECTION 	THIS DRAWING CONTAINS PROPRIETARY DATA. REPRODUCTION OF THIS DRAWING WITHOUT THE WRITTEN CONSENT OF J. D'ADDARIO & CO., INC. IS PROHIBITED. SURRENDER ALL COPIES UPON REQUEST.		TOLERANCES EXCEPT WHERE NOTED: X.XX ± .01 X.XXX ± .005 ∠ ± 0.5°	NUMBER P041B01
WT:		SCALE: 2/1		REV SHEET: 1/1	

REV	ECN	DESCRIPTION	DSN	DATE	APP



SECTION A-A
SCALE 2/1



SCALE 1/1

FINISH: ELECTRO-POLISHED

MATERIAL STAINLESS STEEL		DESIGNED BY: A.M.	12/11/01	J. D'ADDARIO & CO., INC. FARMINGDALE, NY USA	
APPROVED:		DO NOT SCALE DRAWING		NAME SLIDE LARGE	
SIZE A	THIRD ANGLE PROJECTION 	UNITS: INCHES		NUMBER	REV
THIS DRAWING CONTAINS PROPRIETARY DATA. REPRODUCTION OF THIS DRAWING WITHOUT THE WRITTEN CONSENT OF J. D'ADDARIO & CO., INC. IS PROHIBITED. SURRENDER ALL COPIES UPON REQUEST.		TOLERANCES EXCEPT WHERE NOTED: X.XX ± .01 X.XXX ± .005 ∠ ± 0.5°		P041C01	
WT:		SCALE: 2/1		SHEET: 1/1	