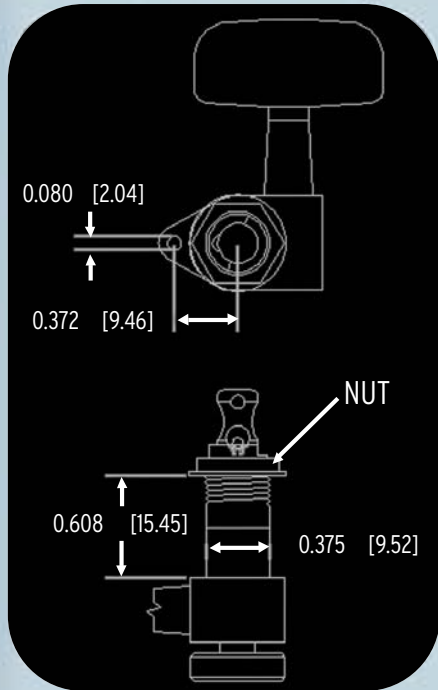


3+3 Auto-Trim Dimensional Specifications



In-Line Auto-Trim Dimensional Specifications

